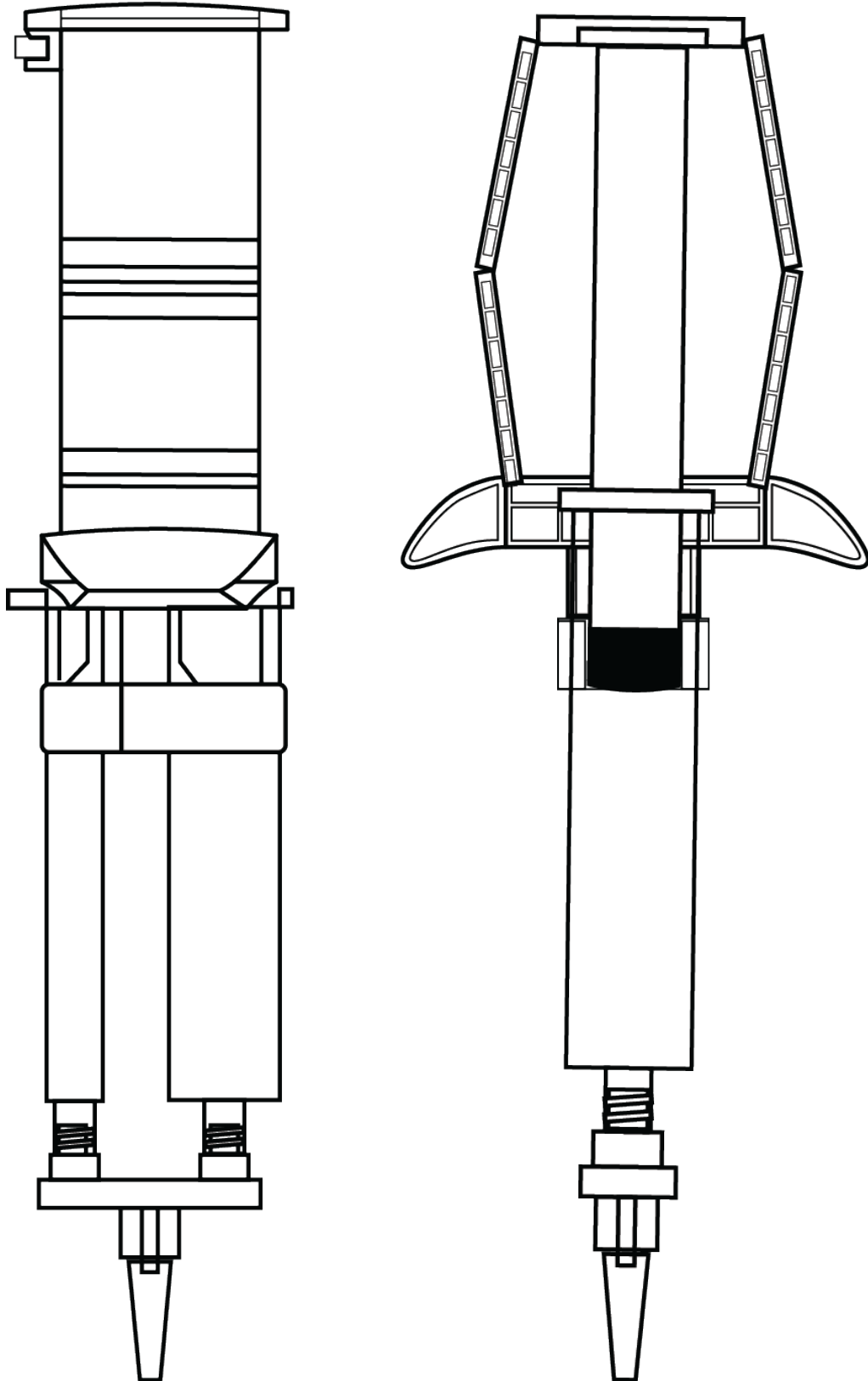


Not made with natural rubber latex












[www.ceallogic.com](http://www.ceallogic.com)



# Explanation of symbols on package labeling

---

	..... Caution, Consult Accompanying Documents
	..... Lot Number
	..... Catalog Number
	..... Sterilized Using Ethylene Oxide
	..... Do Not Reuse
	..... Use By
	..... Open Here
	..... Fragile, Handle With Care
	..... This Way Up

---

## INTRODUCTION

The Recibio, Inc. CeaLogic™ Ratio Applicator Kit consists of SINGLE USE components to be used solely for the assembly of the CeaLogic™ Ratio Applicator.

### Indications for Use

The CeaLogic Ratio Applicator Kit is indicated for use in applying two non-homogeneous fluids to a treatment site.

### Description

The Recibio, Inc. CeaLogic™ Ratio Applicator Kit is intended for the application of fluids as deemed necessary by the surgeon's determination of the clinical use requirements to facilitate the preparation of the treatment site.

### Contraindications

The CeaLogic ratio Applicator is contra-indicated for intravascular use.

### Warnings

When using two dissimilar fluids, compatibility, appropriateness, and possible interaction must be evaluated. Refer to the surgical fluid, anti-biotic, or other fluid Instructions for Use provided with the fluid to be applied.

### Dosage and Method

Dosage is dependent upon procedure and surgeon's determination. Maximum fluid viscosity of 30 cp for use with Luer Spray Tip. To obtain even coverage, keep constant pressure on the dispenser and spray with a sweeping motion.

### Cautions

NON-PYROGENIC DEVICE

FEDERAL LAW (USA) RESTRICTS THIS DEVICE TO SALE BY OR ON THE ORDER OF A PHYSICIAN.

DO NOT RE-STERILIZE.

# Pre-Assembly Instructions

---

- Using aseptic technique, remove components of the CeaLogic™ Ratio Applicator Kit from the sterile package.
- Fill the larger 12-mL syringe with desired fluid.
- Fill the smaller 1-mL syringe with the second fluid at approximately the same level. The proportions of fluid in the two syringes should be comparable.

# Final Assembly Instructions

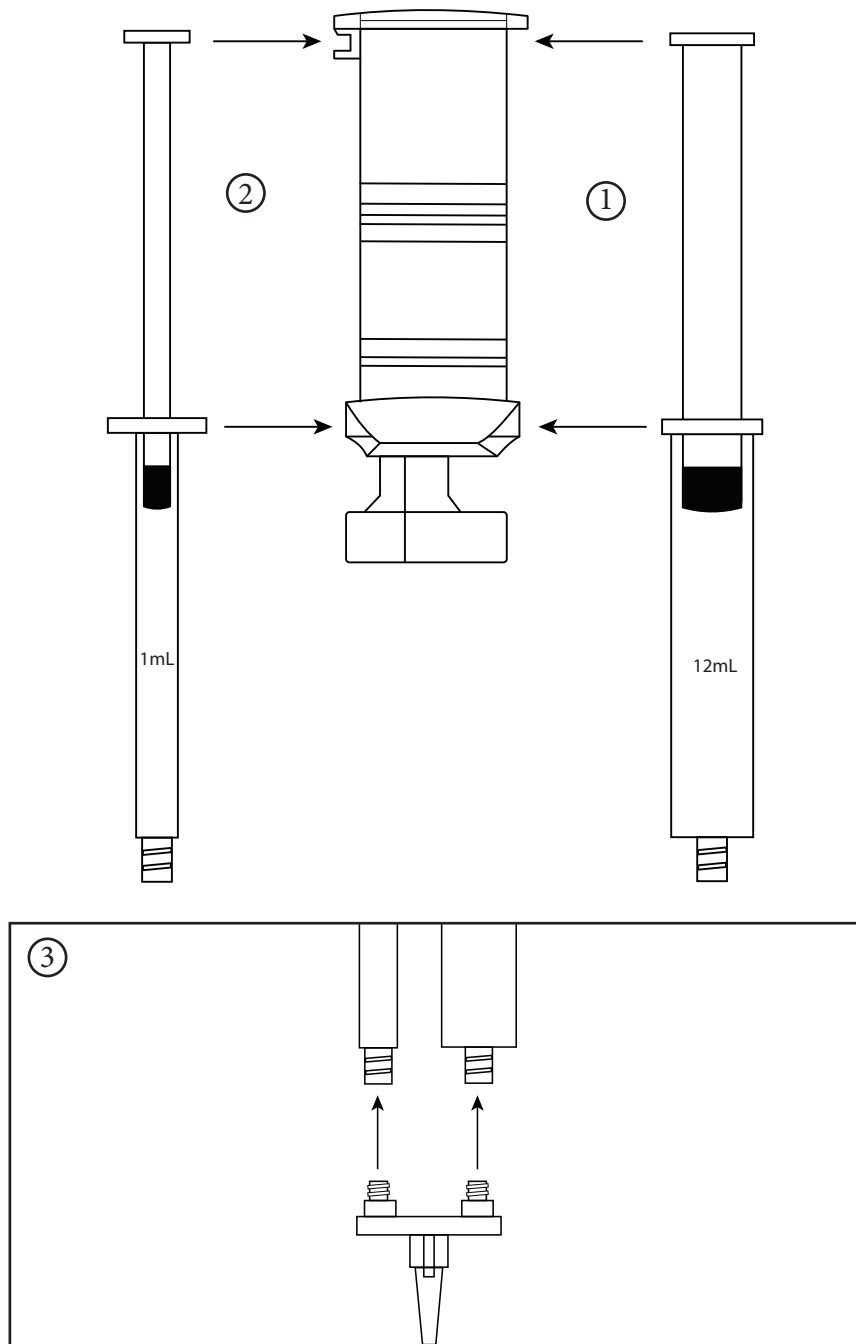
---

- ① Click the 12-mL syringe into the larger side of the Dispenser. The syringe should snap into the Dispenser at both the plunger and the waist.
- ② Click the 1-mL syringe into the smaller side of the Dispenser. The syringe should snap into the Dispenser at both the plunger and the waist.
- ③ Connect the Spray Tip with Dual-Lock Adapter to the 12-mL syringe and 1-mL syringe simultaneously and tighten.

NOTE: Depress Dispenser to apply fluids in combination onto desired site.

# Ratio Applicator Assembly

---



# Recibio, Inc. CeaLogic™ Ratio Applicator Kit Limited Warranty<sup>1</sup> (USA)

THE FOLLOWING LIMITED WARRANTY APPLIES TO UNITED STATES CUSTOMERS ONLY:

1. This Limited Warranty provides the following assurance to the customer who receives the Recibio, Inc. CeaLogic™ Ratio Applicator Kit, hereafter referred to as the “Product”.
  - A. Should the product fail to function within normal tolerances due to a defect in materials or workmanship prior to its “Use before Date” Recibio Inc., will at its option (1) issue a credit equal to the purchase price, as defined in Section 1 (B), against the purchase of the replacement product or (2) provide a functionally comparable replacement at no charge.
  - B. As used herein, Purchase Price shall mean the lesser of the net invoiced price of the original, or current functionally comparable, or replacement.
2. To qualify for the limited warranty, these following conditions must be met.
  - A. The product must be used prior to expiration and/or before its “use by date”
  - B. The unused, non-contaminated portion of the CeaLogic™ Ratio Applicator Kit must be returned to Recibio, Inc. within 30 days of use and shall be come property of Recibio, Inc..
  - C. The product must not have been altered, subject to improper assembly, misuse, abuse, or accident.
  - D. The product may not have been used by any other customer other than the purchaser or a representative of the purchaser.
3. This Limited Warranty is limited to its express terms. In exact:
  - A. Except as expressly provided by this Limited Warranty, RECIBIO, Inc. IS NOT RESPONSIBLE FOR ANY DIRECT, INCIDENTAL OR CONSEQUENTIAL DAMAGES BASED ON ANY DEFECT, FAILUER OR MALFUCNTION OF THE PRODUCT, WHETHER THE CLAIM IS BASED ON WARRANTY, CONTRACT, TORT, OR OTHERWISE.
  - B. This Limited Warranty is made only to the customer in whom the product is used. AS TO ALL OTHERS, RECIBIO, INC. MAKES NO WARRANTY, EXPRESS OR IMPLIED, INCLUDING BUT NOT LIMITED TO, ANY IMPLIE WARRANTY OF MERCHANTABILITY OR FITNESS FOR A PARTICULAR PURPOSE WHETHER ARISING FROM STATUTE, COMMON LAW, CUSTOMOR OTHERWISE. NO EXPRESS OR IMPLIED WARRANTY TO THE CUSTOMER SHALL EXTEND BEYOND THE PERIOD SPECIFIED IN 1(A.) ABOVE. THIS LIMITED WARRANTY SHALL BE THE EXCLUDE REMEDY AVAILABLE TO ANY PURCHASER, AS DESCRIBED ABOVE.
  - C. The exclusions and limitations set out above are not intended to, and should not be construed so as to contravene mandatory provisions of the applicable law. If any part or term of this Limited Warranty is held to be illegal, unenforceable or in conflict with applicable law by a court of a competent jurisdiction, the validity of the remaining portions of the Limited Warranty shall not be affected, and all rights and obligations shall be construed and enforced as if this Limited Warranty did not contain the particular part or term held to be invalid. This Limited Warranty gives the purchaser specific legal rights. The purchaser may have other rights which vary from state to state.
  - D. No person has any authority to bind Recibio, Inc to any representation, condition or warranty except this Limited Warranty.

<sup>1</sup> This Limited Warranty is provided by Recibio, Inc. 1860 FM 359 #171, Richmond TX 77406, USA. It applies only to the United States of America. Areas outside of the United States should contact their local The Recibio, Inc. CeaLogic™ Ratio Applicator Kit representative for the exact terms of the Limited Warranty.

---

# Recibio, Inc. CeaLogic™ Specimen Collection Kit Limited Warranty<sup>1</sup>(OUTSIDE USA)

THE FOLLOWING LIMITED WARRANTY APPLIES TO ALL CUSTOMERS OUTSIDE THE UNITEDSTATES OF AMERICA.

1. This LIMITED WARRANTY provides assurance for the customer who receives a Recibio, Inc. CeaLogic™ Ratio Applicator Kit (“Product”) that should the product fail to function to specification, Recibio, Inc. will issue a credit equal to the original purchase price(but not exceed the value of a replacement product) against the purchase of any replacement product used for that customer. THE WARNINGS CONTAINED IN THE PRODUCT LABELING ARE CONSIDERED AN INTEGRAL PART OF THIS LIMITED WARRANTY. Contact your local Recibio, Inc. representative to obtain information on how to process a Limited Warranty claim.
2. To qualify for the Limited Warranty, these following conditions must be met.
  - A. The product must be used prior to expiration and/or before its “use by date”
  - B. The unused, non-contaminated portion of the CeaLogic™ Ratio Applicator Kit must be returned to Recibio, Inc. within 30 days of use and shall be property of Recibio, Inc..
  - C. The product must not have been altered, subject to improper assembly, misuse, abuse, or accident.
  - D. The product must not have been used more than one time for any customer.
3. This LIMITED WARRANTY is limited to its express terms. In particular:
  - A. In no event shall any replacement credit be granted where there is evidence of improper handling, improper use or material alteration of initial or replaced product.
  - B. Recibio, Inc. is not responsible for any direct, incidental or consequential damages based on any defect, failure or malfunction of the product, whether the claim is based on warranty, contract, tort, or otherwise.
4. This LIMITED WARRANTY does not cover those parts that, by their nature, Recibio, Inc. considers used outside standard assembly and use.
5. The exclusions and limitations set out above are not intended to, and should not be construed so as to contravene mandatory provisions of the applicable law. If any part or term of this Limited Warranty is held to be illegal, unenforceable or in conflict with applicable law by a court of a competent jurisdiction, the validity of the remaining portions of the Limited Warranty shall not be affected, and all rights and obligations shall be construed and enforced as if this Limited Warranty did not contain the particular part or term held to be invalid.
6. No representative, agent, dealer, retailer, or intermediary of Recibio, Inc. shall have the authorization to amend the contents of this LIMITED WARRANTY.
7. The validity, interpretation and performance of the agreement for which this LIMITED WARRANTY is issued, as well as any disputes relating to or connected thereto is controlled by and construed under the laws of the State of Texas, USA.

## Kit Components

All components are shipped sterile in package.

The Recibio, Inc. CeaLogic™ Ratio Applicator Kit consists of the following components:

- One (1) Sterile Peel Pack containing all components
  - One (1) 12-ml syringe
  - One (1) 1-ml syringe
  - One (1) Dispenser
  - One (1) Dual Lock Adapter
  - One (1) Spray Tip
  - One (1) Specimen Container
  - One (1) Specimen Container Lid
- 

⚠ WARNING: Due to sterilization, this product can expose you to Ethylene Oxide, known to the State of California to cause cancer and/or birth defects or other reproductive harm. For more information, go to [www.P65Warnings.ca.gov](http://www.P65Warnings.ca.gov)



1860 FM 359 #171  
Richmond, TX 77406 USA  
[www.recibio.us](http://www.recibio.us)

Toll free USA 1-844-732-4246

Made in the U.S.A. including foreign components  
Assembled by Busse Hospital Disposables

